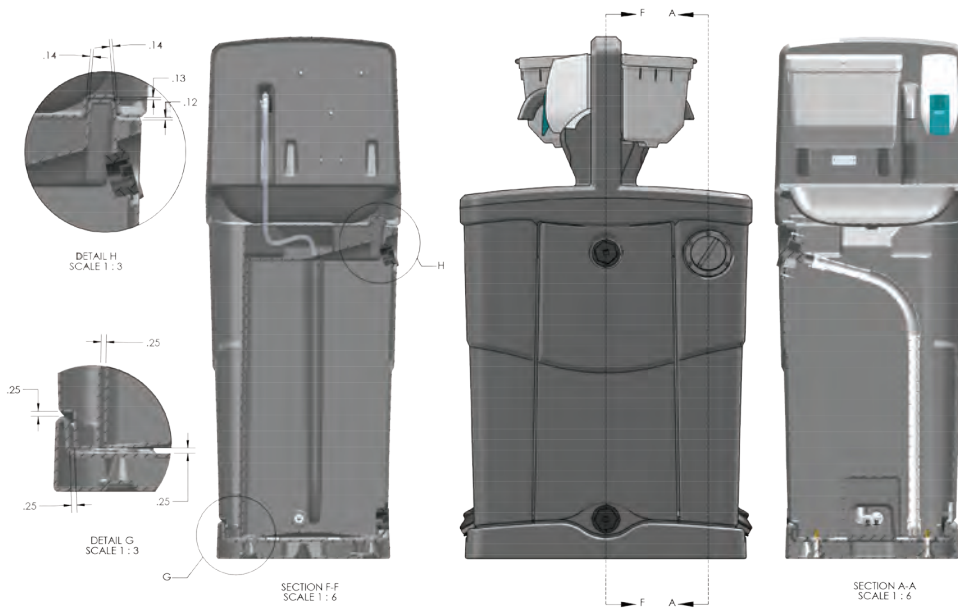




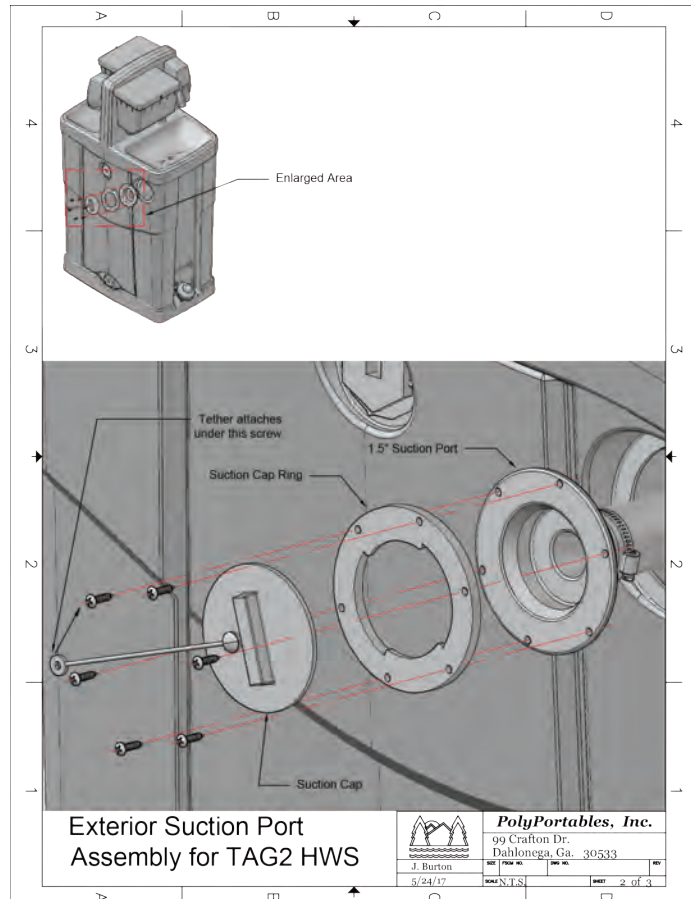
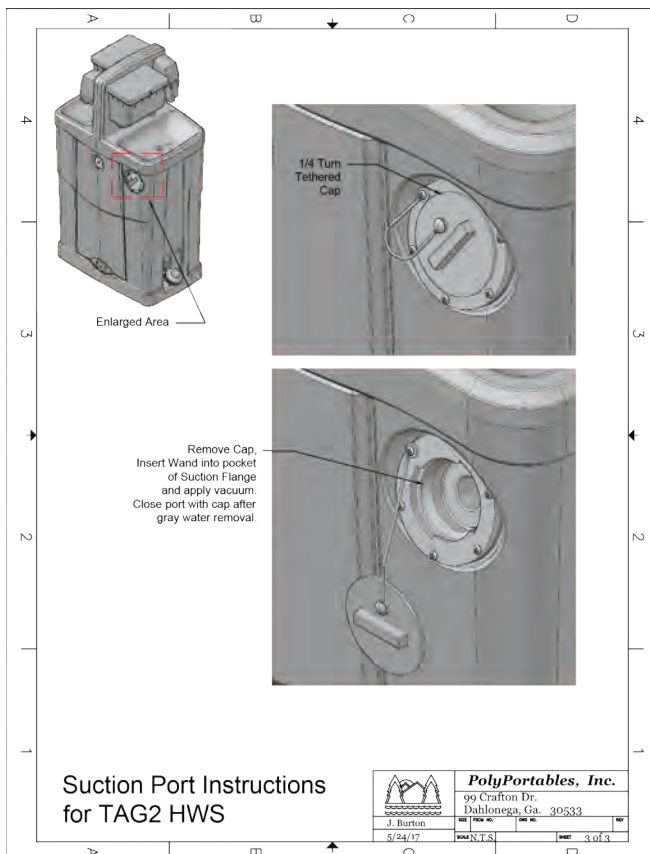
2019 parts catalog

FREE STANDING HANDWASH STATIONS (POLYPORTABLES)

TagAlong



Tag2



TAG 2 SPECIFICATIONS

HEIGHT: 51.75" (1240MM)

LENGTH: 29" (710MM)

WEIGHT: 70 lbs (31.75kg)

WIDTH: 17" (430MM)

FREE STANDING HANDWASH STATIONS (POLYPORTABLES)

REV C ITEM #	QPU	DESCRIPTION	PRICE EACH
TagAlong			
8150-505	2	Towel Dispenser with Lock: Gray Injection Molded	
8150-605	1	Towel Dispenser: Gray Injection Molded	
1038-699	1	Padlock With Key	
9852-699	2	Refill: Lotion Spray Soap - 400 ML Bag	
9851-699	2	Dispenser: Spray Soap - 400 ML Bag	
Tag2			
8029-601	1	Freshwater Tank for TAG 2 Handwash Station - Aqua	
8029-603	1	Freshwater Tank for TAG 2 Handwash Station - Blue	
8029-605	1	Freshwater Tank for TAG 2 Handwash Station - Gray	
8029-606	1	Freshwater Tank for TAG 2 Handwash Station - Green	
8029-609	1	Freshwater Tank for TAG 2 Handwash Station - Orange	
8029-611	1	Freshwater Tank for TAG 2 Handwash Station - Red	
8029-613	1	Freshwater Tank for TAG 2 Handwash Station - Tan	
8028-601	1	Base for TAG 2 Handwash Station - Aqua	
8028-603	1	Base for TAG 2 Handwash Station - Blue	
8028-605	1	Base for TAG 2 Handwash Station - Gray	
8028-606	1	Base for TAG 2 Handwash Station - Green	
8028-609	1	Base for TAG 2 Handwash Station - Orange	
8028-611	1	Base for TAG 2 Handwash Station - Red	
8028-613	1	Base for TAG 2 Handwash Station - Tan	
8150-605	1	Towel Dispenser: Gray Injection Molded	
1808-699	4	Rivet: 688 Tri-Bulb (coat hook, mirror, slide latch bracket)	
1038-699	1	Padlock With Key	
1124-699	1	Decal: Not For Drinking Or Cooking	
9801-699		Dispenser	
9803-699	1	Refill: Moisturizing Soap	
9807-699	1	Label (Small) Hand Sanitizer / Moisturizing Soap	
1102-699	1	Pump- Foot Pump For TAG 2 Hand Wash Station, GP4634B (10MM nipple) - OLD TAG ALONG ONLY	
Super Twin			
8150-505	1	Towel Dispenser with Lock: Gray Injection Molded	
8150-605	1	Towel Dispenser: Gray Injection Molded	
1038-699	1	Padlock With Key	
9852-699	2	Refill: Lotion Spray Soap - 400 ML Bag	
9851-699	2	Dispenser: Spray Soap - 400 ML Bag	
8156-603		SuperMate Hand Wash Assembled Blue	
Super Twin Ultra			
8150-505	4	Towel Dispenser with Lock: Gray Injection Molded	
8150-605	1	Towel Dispenser: Gray Injection Molded	
1038-699	1	Padlock With Key	
9852-699	2	Refill: Lotion Spray Soap - 400 ML Bag	
9851-699	2	Dispenser: Spray Soap - 400 ML Bag	

Can't Sleep?

Shop Online and Save 5%



satelliteindustries.com



Regional Managers & Territories



Northwest

John Sprenger

763-519-6544

johns@satelliteindustries.com



Northeast

Josh Carmichael

574-350-2162

joshuac@satelliteindustries.com



South Central

Matt McClure

763-519-6521

mmclure@satelliteindustries.com



Southwest

Tim White

763-519-6543

timw@satelliteindustries.com



Southeast

Gordy Hunt

763-519-6520

ghunt@satelliteindustries.com



Texas

Ryan Foley

763-519-6526

ryanf@satelliteindustries.com



West

Bryan Lowe

763-519-6540

blowe@satelliteindustries.com



North Central

Mark Elhardt

763-551-7230

marke@satelliteindustries.com



Québec

Adrian Tummel

+32/2-542-56-55

adriant@satelliteindustries.com



Mountain

Jeff Sprenger

763-519-6527

jsprenger@satelliteindustries.com



Great Lakes

Paul Jongert

763-519-6546

paulj@satelliteindustries.com

Strategic Account Manager

Ryan Anthony

763-519-6548

ryana@satelliteindustries.com

Online Ordering

satelliteindustries.com | safetfresh.com

Customer Service

Restrooms: 800-883-1123 | Fax: 800-328-3334
Safe-T-Fresh: 877-764-7297 | information@satelliteindustries.com